

Versions of horizontal constructions:

Horizontal construction with vertically forced draught fans.

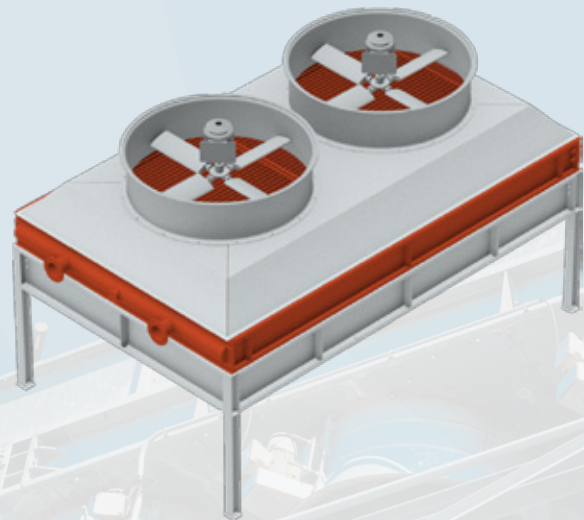
Main application:

- Condenser
- Liquid cooler
- Shut-down cooler (liquid cooler with single pass flow)

Horizontal construction with vertically forced draught fans in multi-bay arrangement.

Main application:

- Condenser
- Liquid cooler

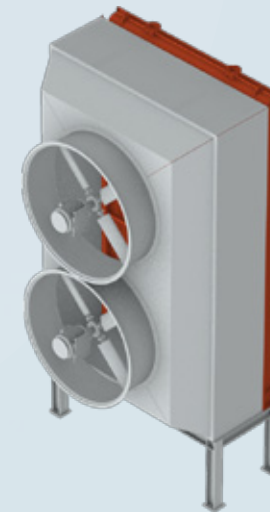


Horizontal construction with vertically induced draught fans

Main application:

- Condenser
- Liquid cooler

Providing maximum air outlet temperature 70°C.
Multi-bay arrangement is possible.



Versions of vertical constructions:

Vertical construction with horizontally forced draught fans

Main application:

- Condenser

Vertical construction with horizontally induced draught fans

Main application:

- Condenser

Providing maximum air outlet temperature 70°C.
Minor requirement of erection area.



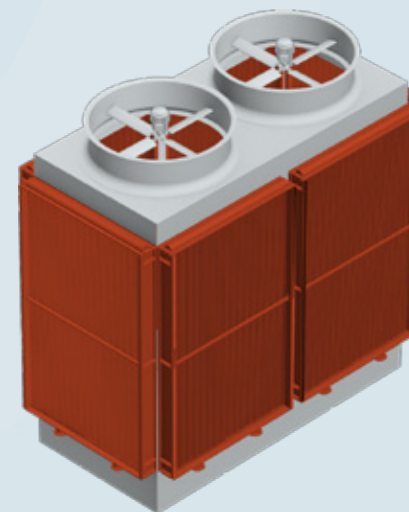
Vertical construction in hexagon arrangement with vertically induced draught fans

Main application:

- Condenser

Providing maximum air outlet temperature 70°C.

Minor requirement of erection area.



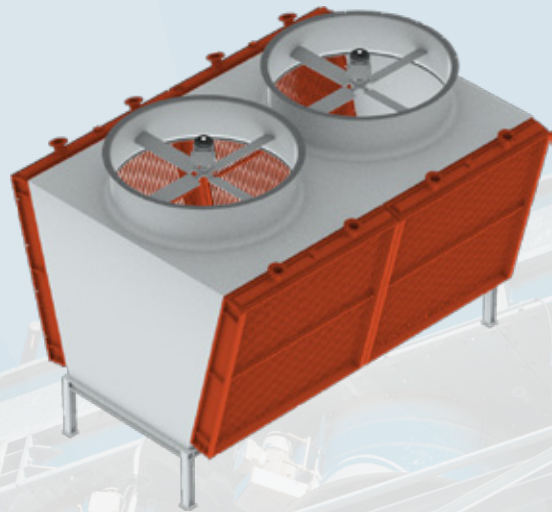
Vertical construction in rectangle arrangement with vertically induced draught fans

Main application:

- Condenser

Providing maximum air outlet temperature 70°C.

Minor requirement of erection area.



V- and roof type constructions

V-construction with induced draught fans

Main application:

- Condenser
- Liquid cooler

Providing maximum air outlet temperature 70°C.

Minor requirement of erection area.

Roof type construction with forced draught fans

Main application:

- Low pressure steam condenser
- Dephlegmator

Minor requirement of erection area.